

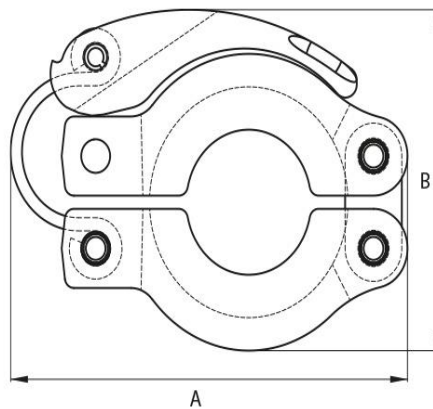
Quick-release clamping Ring

Flange: ISO-KF, according to DIN 28403

Leak rate: 1×10^{-9} mbar · l/s



Artikelnummer	Material	DN	A	B
32/40SS/C	Aluminum	DN 32 / DN 40	98.0	75.0



this product is compliant with both REACH and RoHS regulations