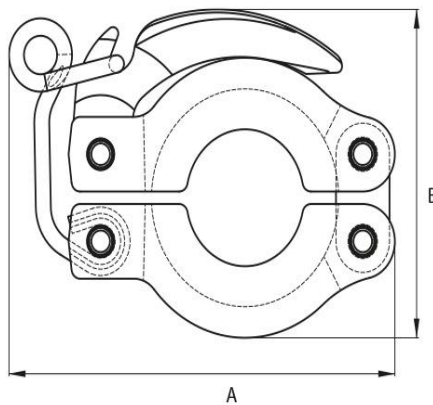


Quick-release clamping Ring metal

Flange: ISO-KF, according to DIN 28403
 Leak rate: 1×10^{-9} mbar · l/s



Artikelnummer	Material	DN	A	B
32/40SS/C kpl.	Aluminum	DN 32 / DN 40	99.0	78.0



this product is compliant with both REACH and RoHS regulations