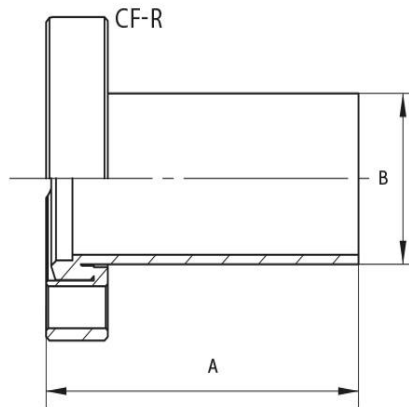


Flange with tube ISO-CF rotatable

Flange: ISO-KF, according to DIN 28403
 Leak rate: 1×10^{-9} mbar · l/s
 Surface: glass-bead blasted



Artikelnummer	Material	DN	A	B
016CFR038/B	Stainless Steel (1.4301)	DN 16	38.0	18.0
040CFR063/B	Stainless Steel (1.4301)	DN 40	63.0	40.0
063CFR105/B	Stainless Steel (1.4301)	DN 63	105.0	70.0
100CFR135/B	Stainless Steel (1.4301)	DN 100	135.0	108.0
160CFR167/B	Stainless Steel (1.4301)	DN 160	167.0	159.0



this product is compliant with both REACH and RoHS regulations