

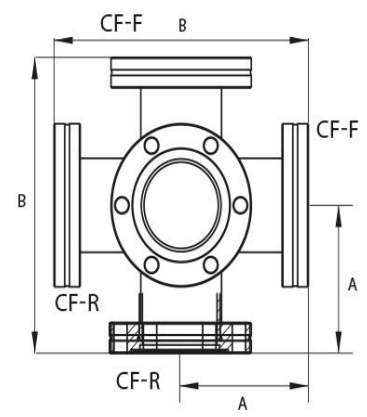
## Double Cross

Flange: ISO-CF, according to ISO 3669  
 Leak rate:  $1 \times 10^{-12}$  mbar · l/s  
 Bakeout temperature: up to 400°C  
 Surface: glass-bead blasted



Artikelnummer	Material	DN	A	B
040DKS/CF	Stainless Steel (1.4301)	DN 40	63.0	126.0
063DKS/CF	Stainless Steel (1.4301)	DN 63	105.0	210.0
100DKS/CF	Stainless Steel (1.4301)	DN 100	135.0	270.0
160DKS/CF	Stainless Steel (1.4301)	DN 160	167.0	334.0

CF-F = non-rotatable flange CF-R = rotatable flange



this product is compliant with both REACH and RoHS regulations