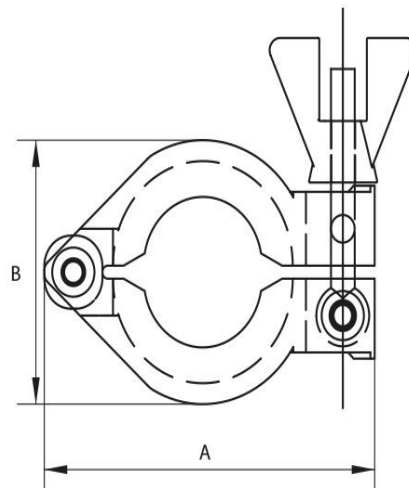


Clamping ring with Wingnut

Flange: ISO-KF, according to DIN 28403
 Leak rate: 1×10^{-9} mbar · l/s



Artikelnummer	Material	DN	A	B
32/40SP/B	Stainless Steel (1.4301)	DN 32 / DN 40	90.0	62.3
32/40SP/C	Aluminum	DN 32 / DN 40	90.0	69.0



this product is compliant with both REACH and RoHS regulations