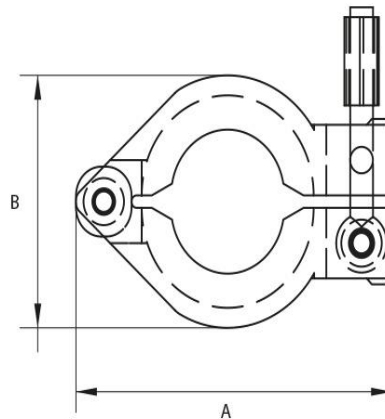


# Clamping Ring with Hexagon Nut

Flange: ISO-KF, according to DIN 28403  
 Leak rate:  $1 \times 10^{-9}$  mbar · l/s



Artikelnummer	Material	DN	A	B
20/25SPN/C	Aluminum	DN 20 / DN 25	72.0	52.5
32/40SPN/C	Aluminum	DN 32 / DN 40	90.0	69.0
10/16SPN/C	Aluminum	DN 10 / DN 16	63.0	41.5



this product is compliant with both REACH and RoHS regulations