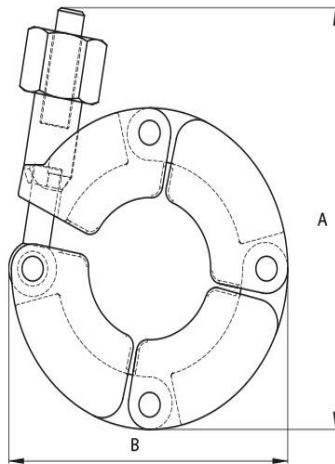


Clamping Chain

Flange: ISO-KF, according to DIN 28403
 Leak rate: 1×10^{-9} mbar · l/s



Artikelnummer	Material	DN	A	B
10/16SK/C	Aluminum	DN 10 / DN 16	71.0	52.5
20/25SK/C	Aluminum	DN 20 / DN 25	82.0	65.0
32/40SK/C	Aluminum	DN 32 / DN 40	98.0	79.0
50SK/C	Aluminum	DN 50	117.0	97.5



this product is compliant with both REACH and RoHS regulations