

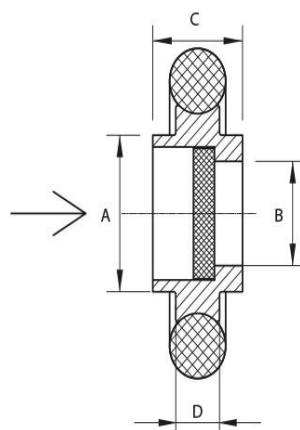
Centering Ring with Filter

Flange: ISO-KF, according to DIN 28403
 Leak rate: 1×10^{-9} mbar · l/s
 Pore-Size: 0,02mm



Artikelnummer	Material	DN	A	B	C	D
010ZRF/B	Stainless Steel / FPM	DN 10	12.0	8.0	8	3.9
016ZRF/B	Stainless Steel / FPM	DN 16	17.0	14.0	8	3.9
025ZRF/B	Stainless Steel / FPM	DN 25	26.0	23.0	8	3.9
040ZRF/B	Stainless Steel / FPM	DN 40	41.0	38.0	8	3.9
050ZRF/B	Stainless Steel / FPM	DN 50	52.0	48.0	8	3.9

Arrow indicates Gasflow direction



this product is compliant with both REACH and RoHS regulations