

90° Pipe Elbow ISO-KF

Flange: ISO-KF, according to DIN 28403

Leak rate: 1×10^{-9} mbar · l/s

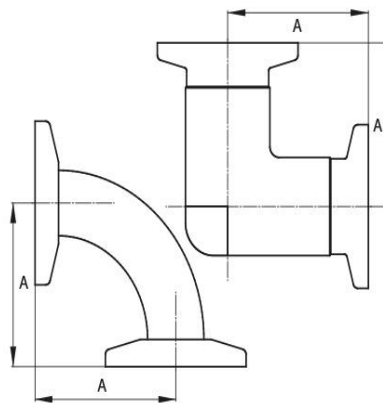
Surface: glass-bead blasted

The design of the pipe elbow varies depending on the material used.

In stainless steel, an elbow is used, while in aluminum, the component is designed as an angled pipe.



Artikelnummer	Material	DN	A
010RB/B	Stainless Steel (1.4301)	DN 10	30.0
010RB/C	Aluminum	DN 10	30.0
016RB/B	Stainless Steel (1.4301)	DN 16	40.0
016RB/C	Aluminum	DN 16	40.0
025RB/B	Stainless Steel (1.4301)	DN 25	50.0
025RB/C	Aluminum	DN 25	50.0
040RB/B	Stainless Steel (1.4301)	DN 40	65.0
040RB/C	Aluminum	DN 40	65.0
050RB/B	Stainless Steel (1.4301)	DN 50	70.0



this product is compliant with both REACH and RoHS regulations